

# LIVING & CO<sup>®</sup>

## Hand Mixer



### INSTRUCTION MANUAL

MODEL: SRO8311

---

**AFTER SALES SUPPORT**

  0800 422 274

# CONTENT

IMPORTANT SAFEGUARDS..... 1  
Part Name ..... 3  
Operating ..... 4  
General Cooking Advice..... 5  
Cleaning & Maintenance ..... 5  
Product Specifications ..... 6  
Environmental protection..... 6

# IMPORTANT SAFEGUARDS

## Caution

For safety reasons and to avoid damage to the appliance or injuries to people, please follow all the safety instructions below. Ignoring safety warnings may result in injuries.

This appliance does not take into consideration the following situations:

- Use by children or disabled people without supervision;
- children treating it as a toy.

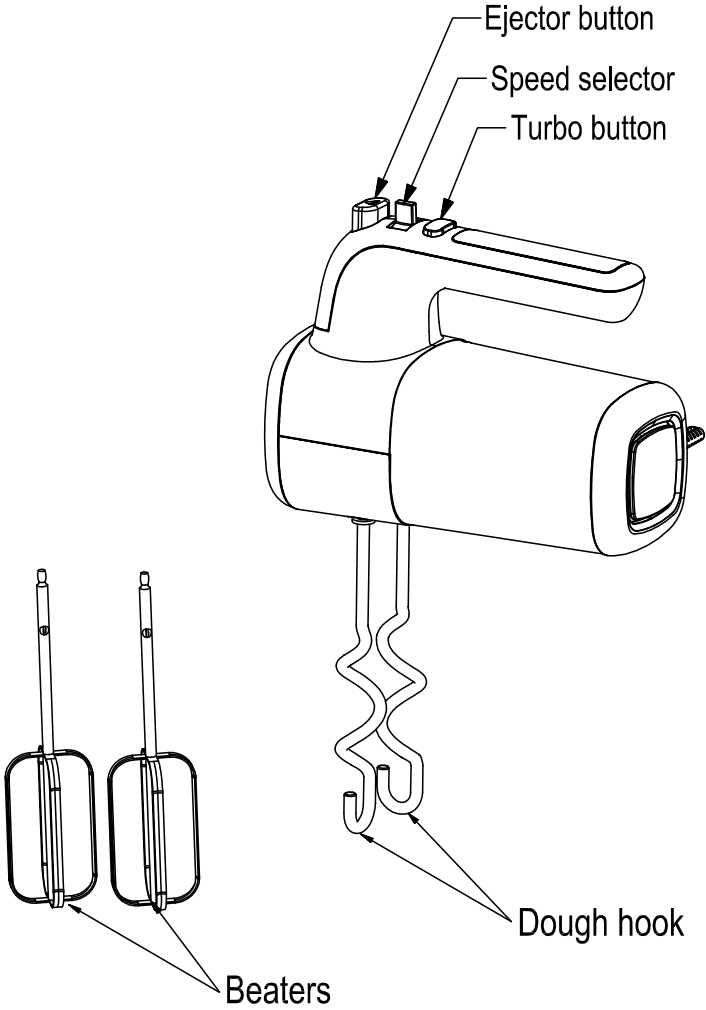
1. Read all instructions.
2. This appliance is for household use only. Do not use outdoors.
3. This appliance is not intended for use by persons (including children) with reduced physical, sensory or mental capabilities, or lack of experience and knowledge, unless they have been given supervision or instruction concerning use of the appliance by a person responsible for their safety.
4. Unplug from outlet when not in use and before cleaning.
5. If the supply cord is damaged, it must be replaced by the manufacturer, its service agent or similarly qualified persons in order to avoid a hazard.
6. Children should be supervised to ensure that they do not play with the appliance
7. The use of accessory attachments not recommended by the appliance manufacturer may cause injury.
8. Please turn off and unplug the appliance before cleaning, maintenance or relocation and whenever it is not in use.
9. Do not let cord hang over edge of table or counter, or touch hot surfaces.

# IMPORTANT SAFEGUARDS

## Caution

10. Do not place on or near a hot gas or electric burner, or in a heated oven.
11. Do not use the appliance for other than intended use.
12. To disconnect turn the control to OFF, then remove plug from wall outlet.
13. Appliances can be used by persons with reduced physical, sensory or mental capabilities or lack of experience and knowledge if they have been given supervision or instruction concerning use of the appliance in a safe way and understand the hazards involved.
14. Do not immerse the appliance in water or any other liquid.
15. This appliance is intended to be used in household and similar applications such as:
  - staff kitchen areas in shops, offices and other working environments;
  - farm houses;
  - by clients in hotels, motels and other residential type environments;
  - bed and breakfast type environments.
16. Children shall not play with the appliance.
17. To protect against electrical shock, do not immerse cord, plug or appliance in water or other liquid.
18. Warning: Misuse may cause potential injury
19. Do not place on or near a hot gas or electric burner, or in a heated oven.
20. Switch off the appliance and disconnect from supply before changing accessories or approaching parts that move in use

Part Name



## Operating

Ô| ^æ Á@ Á[ ~ \* @q [ \ • Áæ áÁ Á^æ | • ÉÓ ^-f | ^ Áæ • ^ { à| ā \* Á@ Á æ | ÉÁ æ ^ Á  
 • ~ | ^ Á@ Á [ , ^ | Á | iá / Á } ] | " \* \* ^ á Á | { Á@ Á [ , ^ | Á ~ d ^ Áæ á Á@ Á ] ^ ^ á Á  
 • ^ | ^ & q | Á Áæ Á@ Áæ | Á [ • ā | } È

1. Assemble the provided beaters or dough hooks into the mixer.

### Note:

- **Beaters can be inserted in either socket, as the beaters are identical.**
- **For dough hooks, the one with the washer can only be inserted into the bigger socket and the other one can only be inserted into the smaller socket. The two dough hooks cannot be inserted in reverse.**

2. Ensure that the unit is set to “0” setting, then plug in the power source.
3. Set the speed selector to your desired speed. There are 5 speed settings possible.

**Note:** When kneading yeast dough, start at a lower speed and then increase the speed to achieve the best results.

**Note:** The mixer will operate at the highest speed when the turbo button is pressed.

**WARNING:** Do not stick a knife, metal spoons, fork or similar into the mixing bowl while operating.

4. When mixing heavy mixtures, the MAX operating time should be less than 5 minutes with a minimum 20 minutes rest time between continuous two cycles.

### Note:

**While operating you may rotate the bowl with your hand to achieve the best results.**

5. When mixing is complete, turn the speed selector to “0” setting, and unplug the cord from the power outlet.
6. If necessary, scrape the excess mixed food from the beaters or dough hooks by using a rubber or wooden spatula.
7. Hold the beaters or dough hooks with one hand and press the Ejector button firmly down with the other hand to remove the beater or dough hooks.

## General Cooking Advice

1. Refrigerated ingredients, i.e., butter and eggs should be at room temperature before beginning mixing. Set these ingredients out ahead of time.
2. To eliminate the possibility of shell eggs in your recipe, break eggs into a separate container first, then add to the mixture.
3. Do not over-beat. Be careful that you only mix/blend mixtures until recommended instructions in your recipe.  
Fold into dry ingredients only until just combined. Always use the low speed.
4. Temperature changes, temperature of ingredients and their texture variations from area to area all play a part in the required mixing time and the results achieved.
5. Always start mixing at slow speeds. Gradually increase to the recommended speed as stated in the recipe.

## CLEANING & MAINTENANCE

1. Before cleaning, first switch off the appliance and then disconnect the power plug from the power outlet.
2. Wipe over the outside surface of the head with a damp cloth and dry with a soft dry cloth.
3. Wipe any excess food ingredients from the power cord.
4. Wash the beaters and dough hooks in warm soapy water and dry.

**Note:** The beaters and dough hooks may be washed in the dishwasher.

**CAUTION:** The mixer can not be immersed into water or any other liquid.

## Technical Data

Product name	Model No.	Rated voltage	Rated frequency	Rated power
Hand Mixer	SRO8311	220 - 240V~	50-60Hz	400W



## Environmental Protection

### Responsible Disposal

At the end of its working life, do not throw this product out with your household rubbish. Electrical and electronic products contain substances that can have a detrimental effect on the environment and human health if disposed of inappropriately. Observe any local regulations regarding the disposal of electrical consumer goods and dispose of it appropriately for recycling. Contact your local authorities for advice on recycling facilities in your area.

Please keep the original packaging carton and materials in a safe place. It will help to prevent any damage if the product needs to be transported in the future. In the event it is to be disposed of, please recycle all packaging material where possible.







# LIVING & CO<sup>®</sup>

## Warranty

We pride ourselves on producing a range of quality home appliances that are both packed with features and completely reliable. We are so confident in our products, we back them up with a 3 year warranty.

Now you too can relax knowing that you are covered.

Customer Helpline NZ: 0800 422 274

This Product is covered by 3 year warranty when accompanied by proof of purchase.